

WELCOME TO RELIABLE ENGINEERING STORES

We are Authorized Distributor of Steel-Smith Clamps & Clamping Elements & Helicoil Inserts in South India. Our ranges of clamps are:-

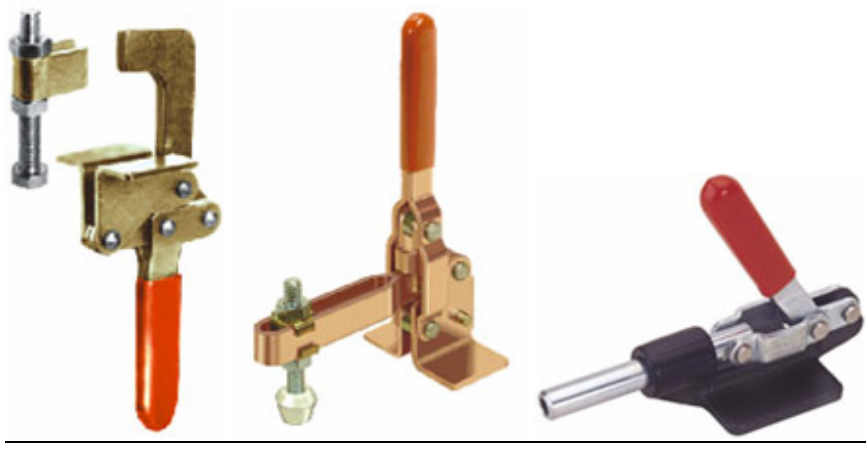
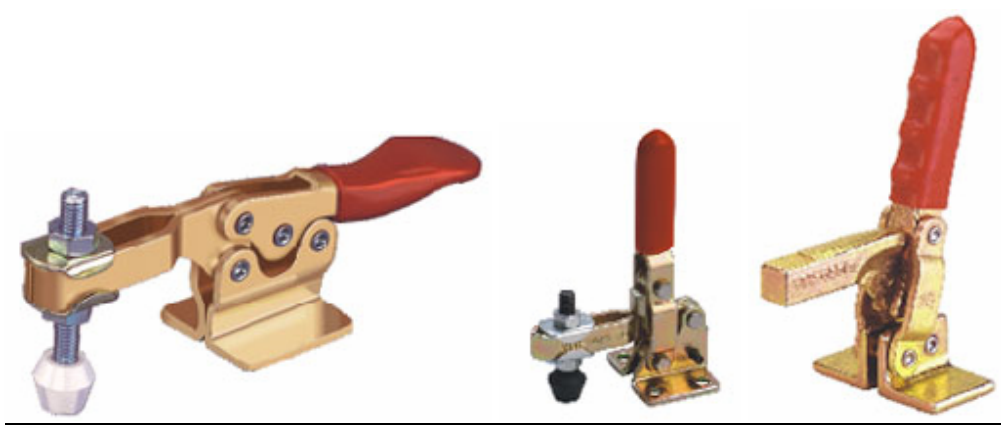
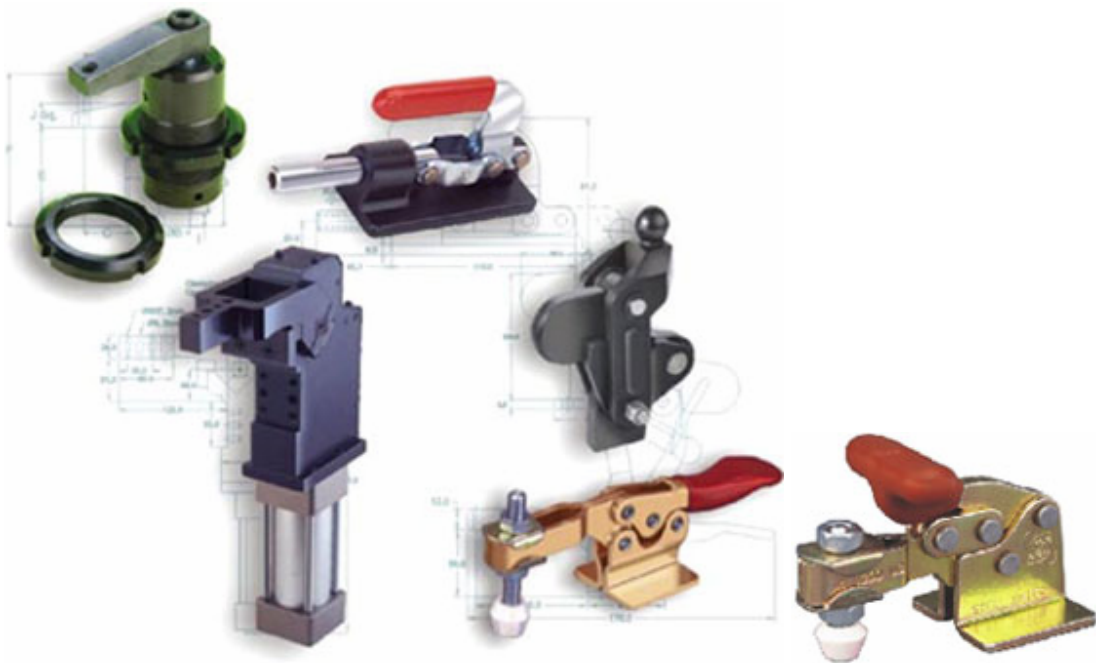
Manual Clamps, Horizontal & Vertical Series Clamps, Pneumatic & Hydraulic Clamps, Pneumatic & Hydraulic Swing Clamps, Fixture Elements, Clamping Devices, Spring Plungers, Helicoil Inserts & Clamping Elements such as: T-Nuts, T-Bolts, Strap Clamps, Goose Clamps, U-Clamps, Hydraulic Devices, Milling & Grinding Accessories, Universal Strap Clamps, Mould Clamps, Pinch Clamps, Step Blocks and Leveling Jacks.

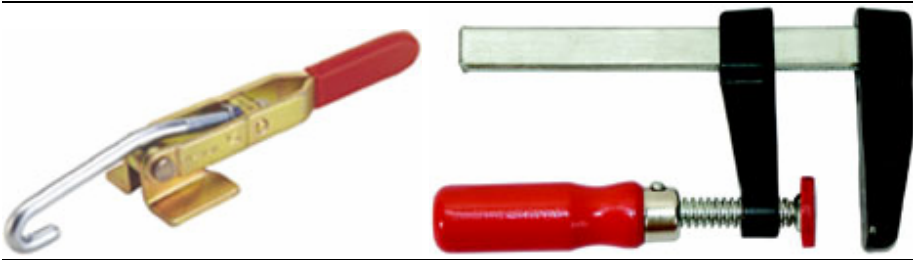
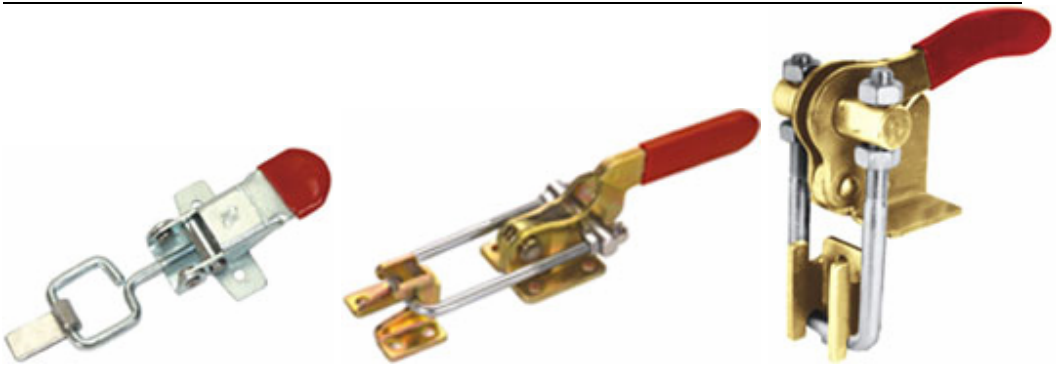
Our clamp applications are in the following ways:

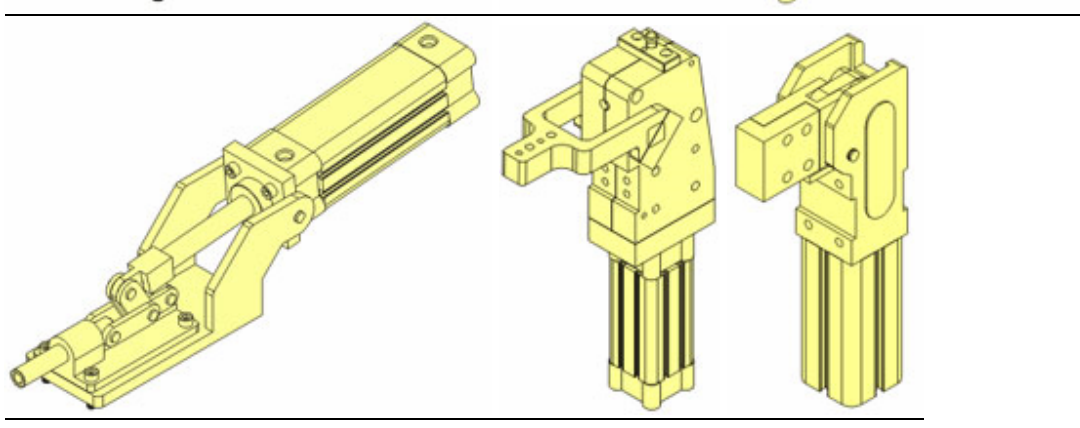
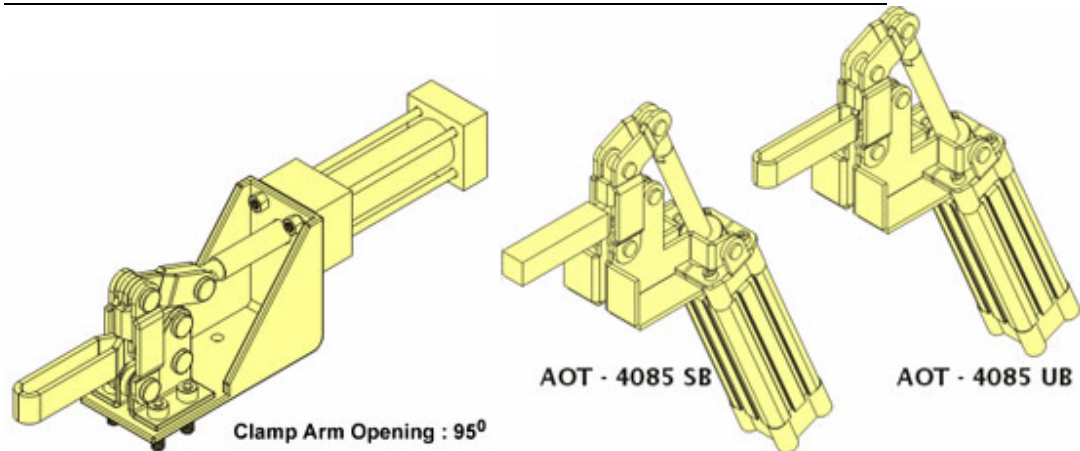
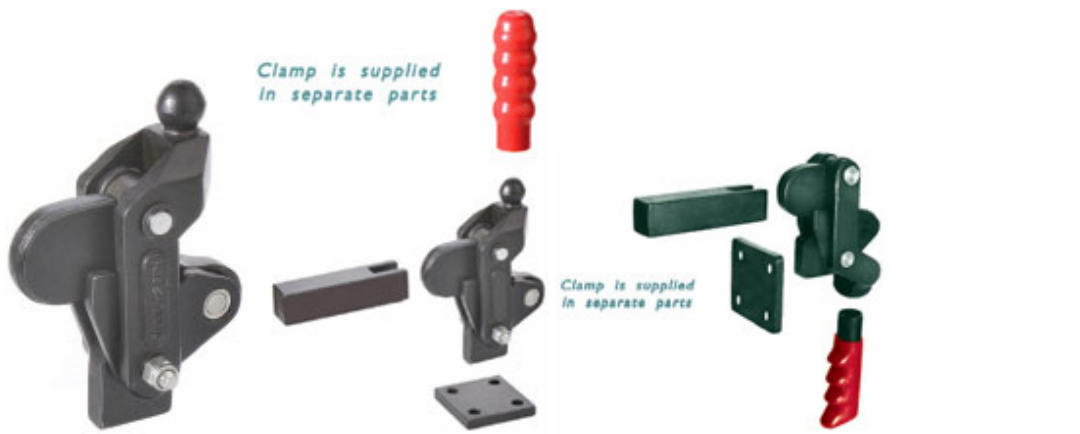
- Machine Shop Department;
- Tool Room Department;
- Sheet Metal Department;
- Jigs & Fixtures Department;
- Press Tool;
- Co2 Welding Fixture Department;
- Pipe Bending Machines;
- SB/BS on a Checking Gauge;
- BIW Fixture;
- Vibro-Finishing Machine;
- Paper Pads;
- Spot Welding Fixture;
- SPM;
- Hold Cylindrical W/P in Tapping Process;
- Ladder Assemble & many more purpose.

Thank you in plenty & regards,

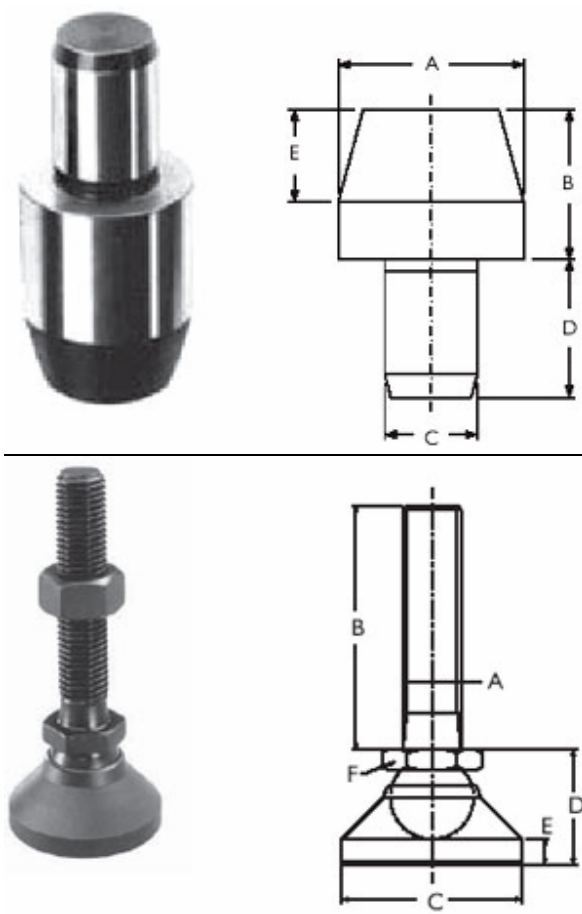
Husain Guru
(Partner)



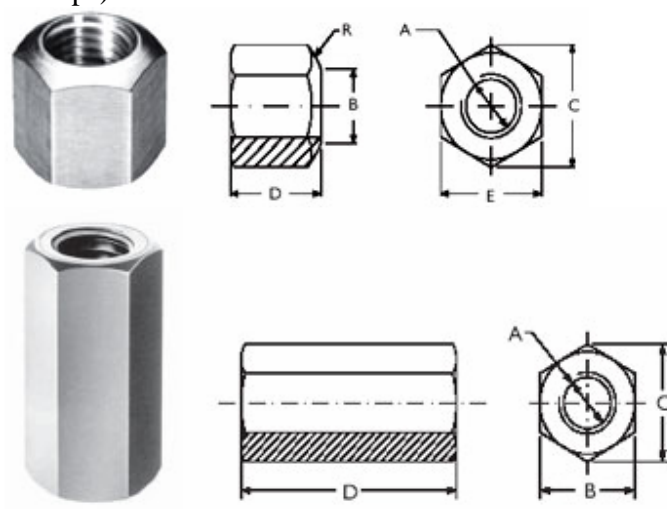


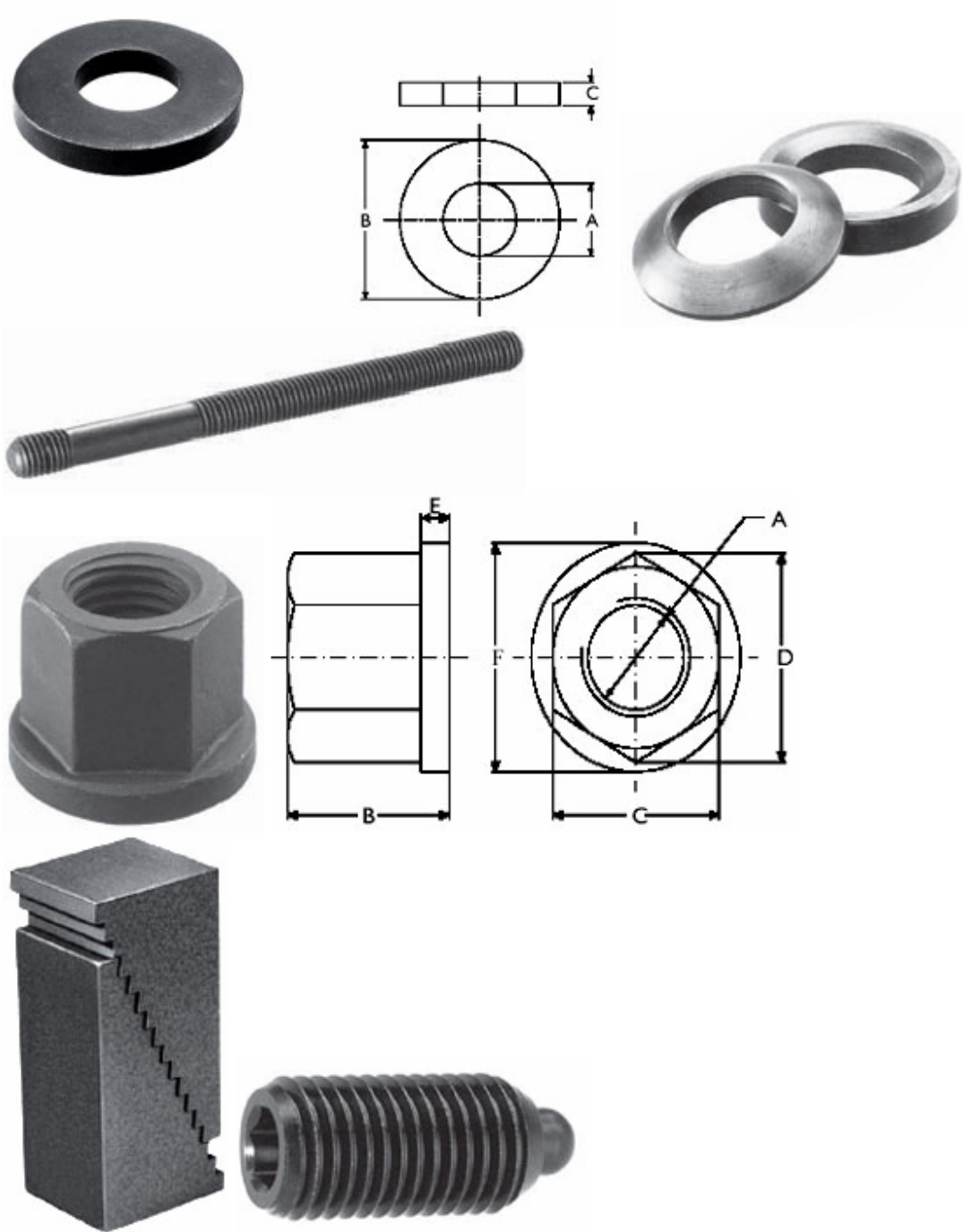


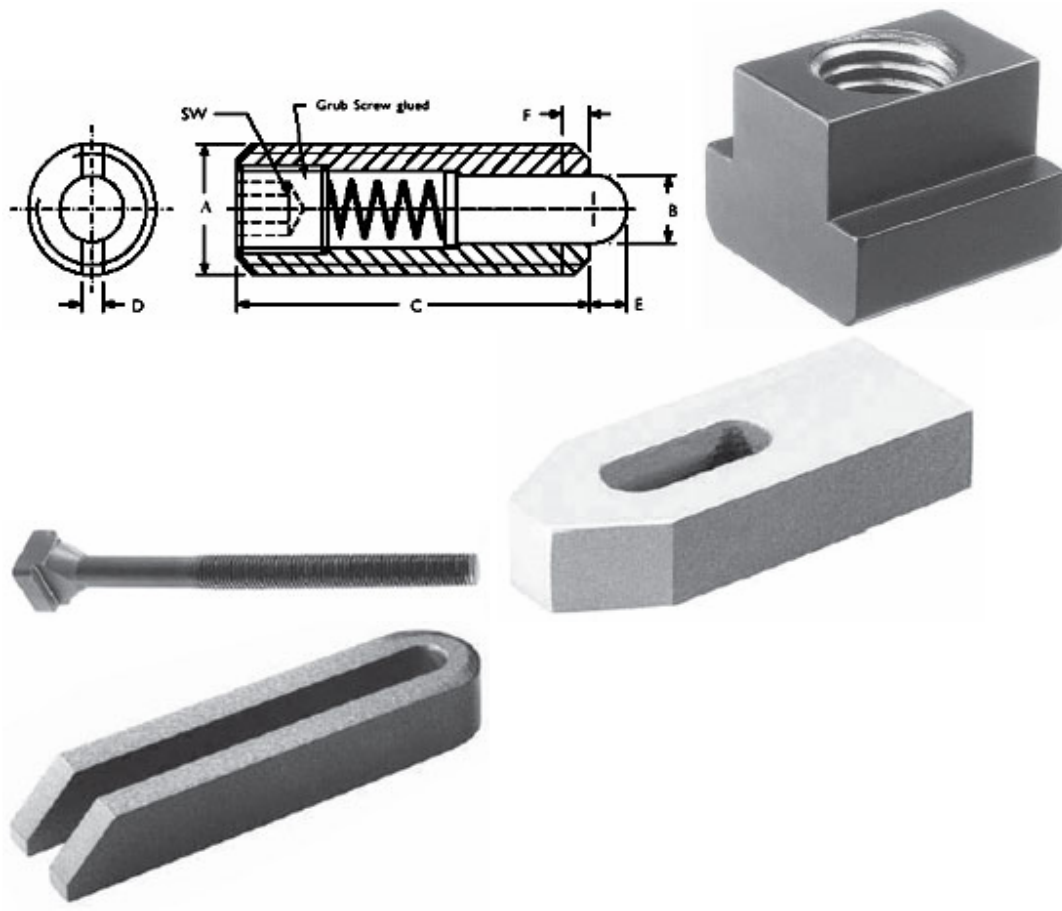




Clamping Elements such as: Fixture Hex Nuts, Extension Fixture Hex Nuts, Plain Washers, Spherical Washers, Studs for T-Nuts, Collar Nuts, Universal Step Blocks, Spring Plungers, T- Nuts, T-Bolts, Strap Clamps, Open Ended Strap Clamp Flat (U Clamps).







Helicoil Inserts:-**Screw Lock Inserts:-****Thread Repair Sets:-**

Kindly request for product catalogue (booklet) & PDF files for your drawings, specifications, & order. We request you to register us as your approved vendors for Steel-Smith Clamps, Clamping Devices & Clamping Elements.

RELIABLE ENGINEERING STORES

102. United Shopping Complex, 94. Dr. Nanjappa Road, Coimbatore - 641018.

TIN: 33682140168

CELL: 9894030534 PH: 91-422-2303647 TELEFAX: 91-422-2303647

EMAIL: precisionh@gmail.com